



SISTEM·AIR

SINCE 1993
CENTRAL VACUUM SYSTEMS

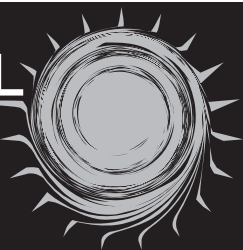
ByTecnoplus s.r.l.

www.sistemair.com

TECHNICAL MANUAL



**ROLL
Flex**



- Type: accessory for central vacuum cleaner
- Model: Rolle Flex
- Revision 1.0.0

INDEX

1	HOW TO USE THE MANUAL	4
2	TECHNICAL FEATURES	4
3	SAFETY FEATURES	6
	3.1 Declaration of absence of dangerous substances	6
	3.2 Identification plate	6
4	AUTHORIZED USE	7
5	UNAUTHORIZED USE	7
6	PACKAGE	7
7	INSTALLATION	8
	7.1 Connection to the pipe network	9
	7.2 Electrical connection	10
8	USE	13
9	MODIFICATION TO THE WINDING HOSE ENDSTOP	15
10	PROGRAMMED ROUTINE MAINTENANCE	17
11	REPAIRS	17
12	DISPOSAL	17
13	TROUBLESHOOTING	18

INTRODUCTION

Dear Customer,

TECNOPLUS S.r.l., owner of the SISTEM AIR Trademark would first of all like to thank you for having chosen to buy our motorized wall-mounted hose reel. We are sure that the characteristics described in this manual will satisfy your needs.

We have written this manual in order to provide adequate instructions for the correct use and maintenance of the system which are crucial to ensure the user's safety, the correct functioning and the long working life of the vacuum cleaning unit.

Read the entire manual carefully, follow the instructions precisely, and above all, for safety reasons, do not intervene in any way if not specifically indicated.

For the best results, we suggest to use SISTEM AIR original accessories and materials. The SISTEM AIR Trademark is a registered trademark and is property of TECNOPLUS S.r.l.

1 - GENERAL INFORMATION

1- HOW TO USE THE MANUAL

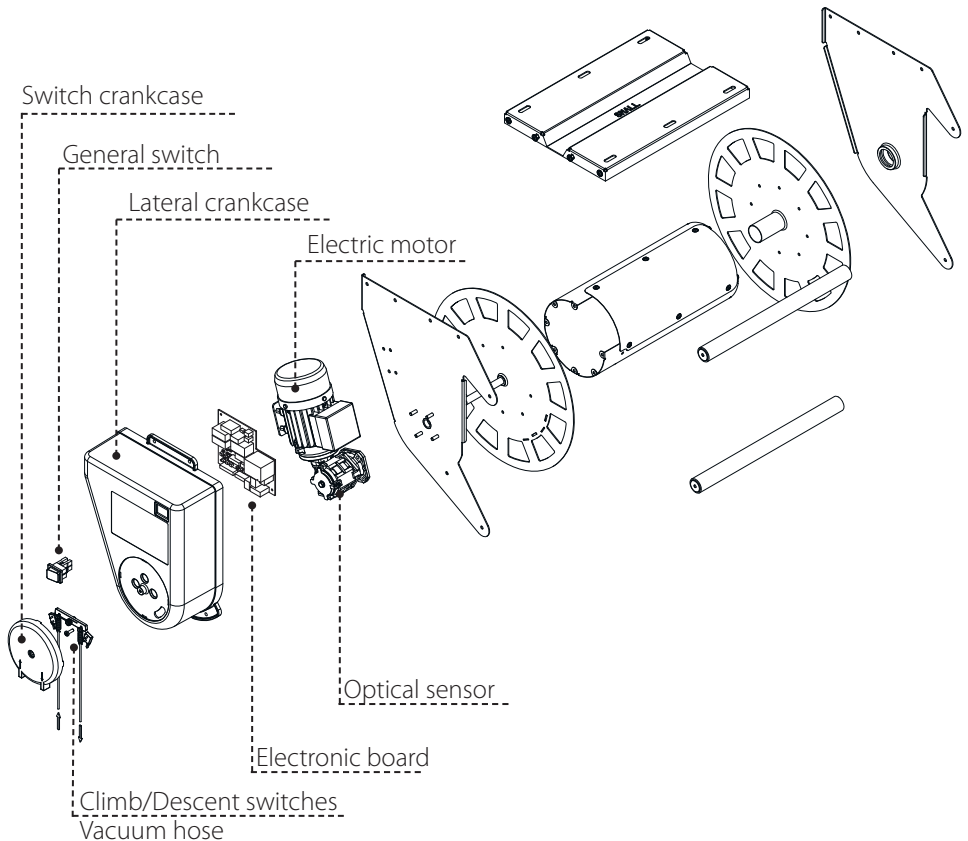
The instruction manual has been written by the manufacturer and is an integral part of the vacuum cleaner. If the system is resold, given or hired out to others, the manual must be handed over to the new user or owner.

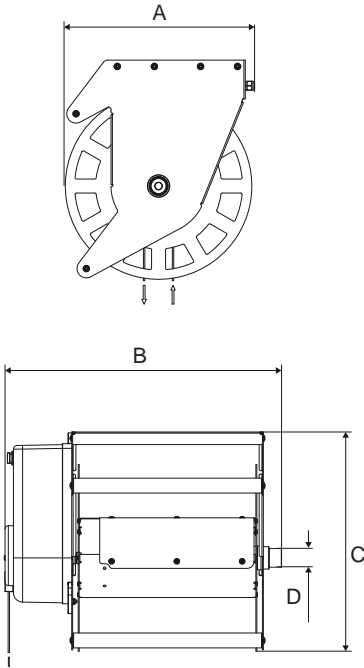
We recommend using and storing it carefully for the entire working life of the vacuum cleaner.

This manual explains how to use the equipment correctly in order to obtain the best performance while maintaining optimal working and safety conditions.

It is strictly forbidden to reproduce, copy or disclose any part of this document by any means without prior written consent of TECNOPLUS s.r.l. which is the owner of the SISTEM AIR Trademark. TECNOPLUS s.r.l. reserves the right to upgrade or modify this manual or the vacuum cleaner itself anytime without giving any prior notice to third parties.

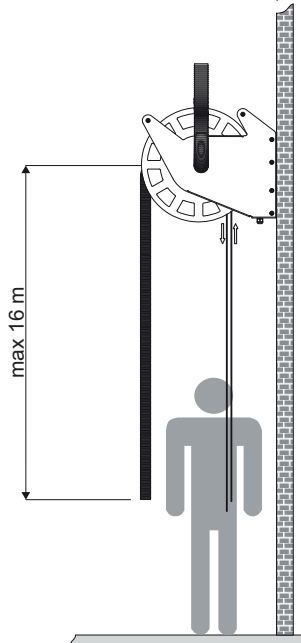
2- TECHNICAL FEATURES





		ROLL FLEX	
		ROLL Flex Ø 32	ROLL Flex Ø 40
Model Article		7041.51E	7041.61E
Protection degree	IP	44	44
Supply	V ac	220/240	220/240
Frequency	Hz	50/60	50/60
Motor power	W	120*	120*
Absorption	A	0,92*	0,92*
Rpm		26*	26*
Weight	Kg	36	38
Vacuum inlet (D)	Ø mm	40	40
Flexible hose	Ø mm	35	40
Flexible hose max. length	m	18	20
Measurement A	mm	410	410
Measurement B	mm	593	743
Measurement C	mm	470	470

* Values referred to a frequency of 50 Hz



3 SAFETY FEATURES

It is recommended to read carefully all the installation, use and maintenance instructions detailed in this manual.

Furthermore, the following WARNINGS should always be observed:

- Never use the machine for unauthorized purposes.
- Keep children away from the vacuum cleaner whilst in function. Children should not play with the machine nor with the suction sockets.
- This equipment should not be used by persons (including children) with reduced psychic, sensory or mental capacities or by persons with no experience nor knowledge of the system, unless they are under the guidance or instructed to use the machine by persons responsible for their safety.
- Wear protective gloves and mask to carry out maintenance interventions
- Only use original spare parts and accessories
- Do not vacuum clean fabrics, heavy materials, ashes or hot embers.
- Never vacuum clean liquids.
- No part of the body should come into contact with the suction accessories.
- Do not vacuum powder such as concrete, lime wastes, plaster dust, etc.
- Do not leave the hose reel working when you don't use it.
- Do not leave the hose when you rewind it, but follow it through while it rewinds on the wheel during the closing.
- Do not pull the hose down hard, neither when it winds up nor when it unwinds.

Finally, remind that pictograms or danger and warning signals can be found on those parts of the equipment where, if not strictly followed, potential risky situations may occur.

WARNING: TECNOPLUS S.R.L. declines any form of responsibility or guarantee if the purchaser, or anyone in his stead, makes even the slightest modification or adjustment to the purchased product. All materials and components used to manufacture this product comply with CE safety regulations. All relevant certifications are held at TECNOPLUS S.R.L. headquarters.

3.1 Declaration of absence of dangerous substances

TECNOPLUS S.r.l. declares that its products and appliances have been manufactured with materials which comply with the restrictions established by the health and environment protection regulations in force and do not contain SVHC-classified substances (Substance of Very High Concern) in compliance with CE regulation 1907/2006 (REACH: i.e. Registration, Evaluation, Authorization and Restriction of Chemical Substances). Although these substances have not been used during the processing cycles of raw materials and during the manufacturing cycles of our products, their presence in p.p.m. (parts per million) cannot be completely excluded due to micro-pollution of raw materials.

3.2 Identification plate

The CE identification plate is assembled on the side of the connection to the pipe network. This should not be removed or damaged.

4 - AUTHORIZED USE

The motorized wall-mounted hose reel RollFlex has been designed exclusively to vacuum clean dust, very small-size solids and dry materials.

The use of the motorized wall-mounted hose reel is authorized for tertiary building use and connected to a wall traced PVC or steel pipe network.

5 - UNAUTHORIZED USE

It is extremely important NOT to use the system in the following circumstances which are considered to be inappropriate and dangerous:

- The system must not be used to vacuum clean fabrics, heavy or hot/burning materials.
- The system must not be used to vacuum clean liquids.

Furthermore the system has not been designed for use in environments with risk of explosion, and therefore:

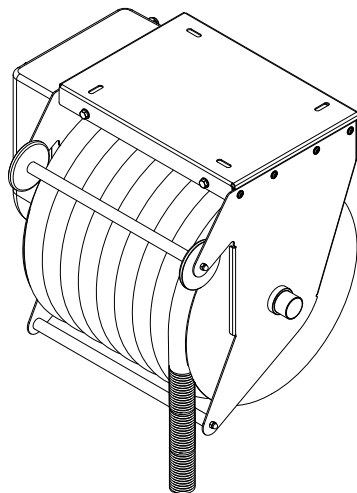
- it is forbidden to suction clean materials with high explosion risk (gunpowder) or materials which are individually inert but that, once collected and mixed in the dust bin, could provoke dangerous chemical reactions.
- It is absolutely forbidden to use the vacuum cleaner in explosive atmosphere or outside the standard temperature, pressure and humidity levels.

Any use of the appliance other than those specified above is forbidden.

Any change or modification made to the system in order to suction clean a particular type of material must obtain the prior written approval of the manufacturer.

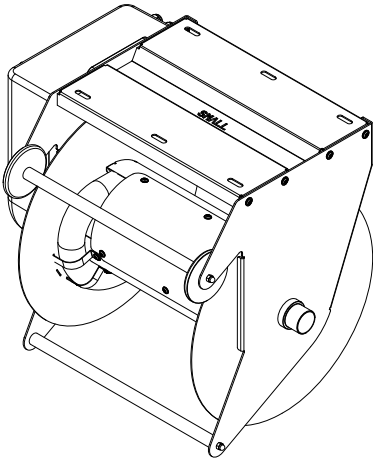
The use of the system for purposes other than those for which it was manufactured, represents an irregular condition which can cause damage to the product and seriously compromise the operator's safety.

6- PACKAGE

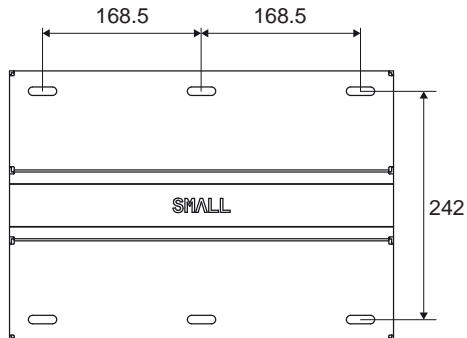
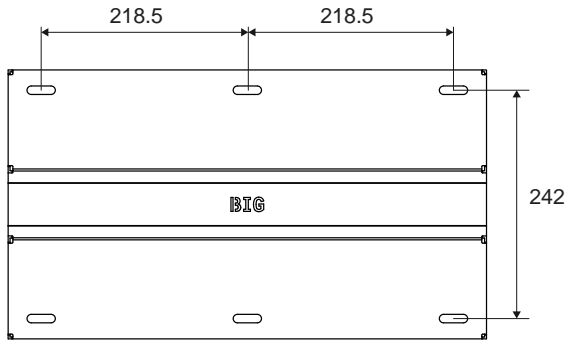
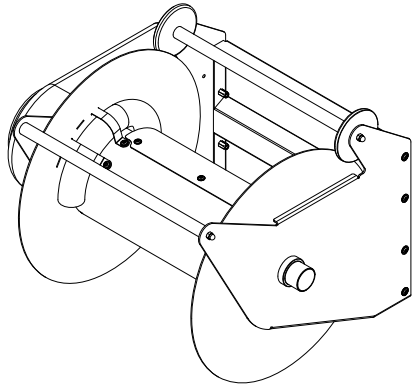


7 - INSTALLATION

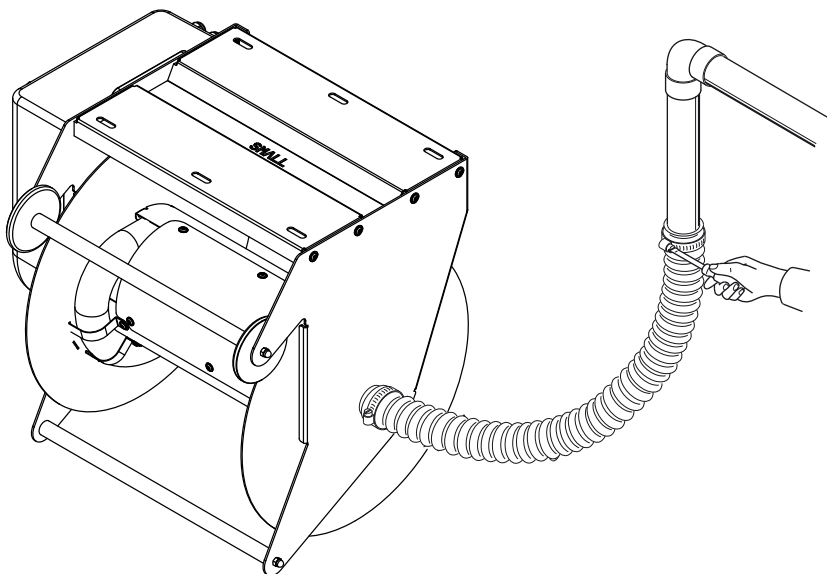
Ceiling installation



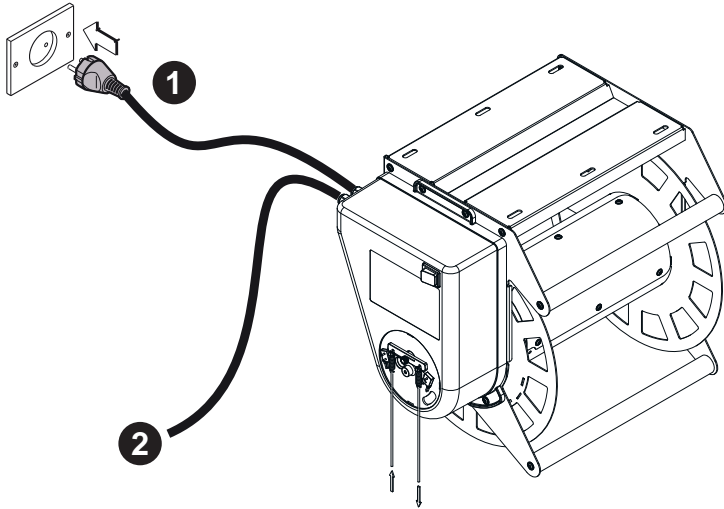
Wall installation



7.1 Connection to the pipe network

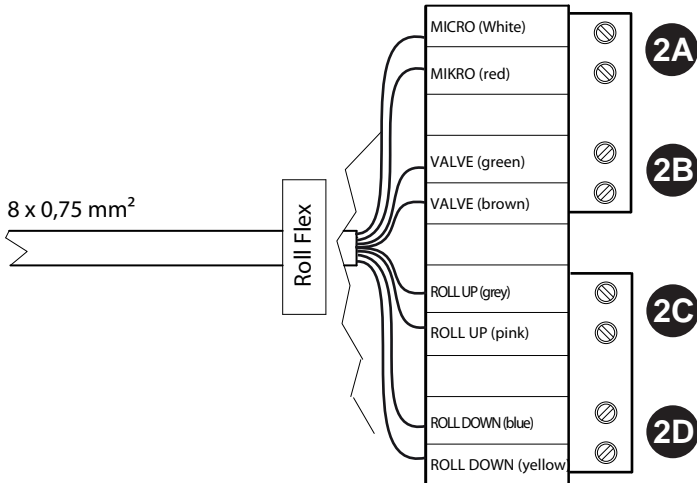


7.2 Electrical connection



1 Electrical supply connection of Roll Flex system

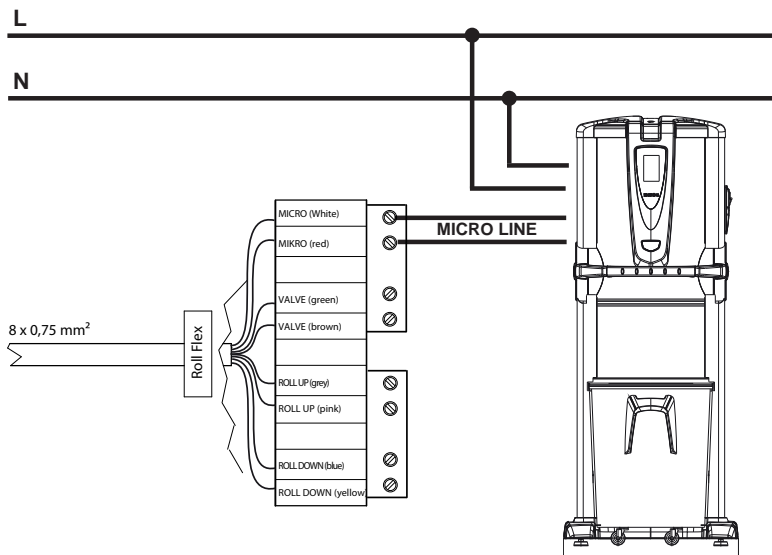
2 External controls connection



2A

MICRO = normally open contact (max1A) for connecting the activation signal of the vacuum unit.

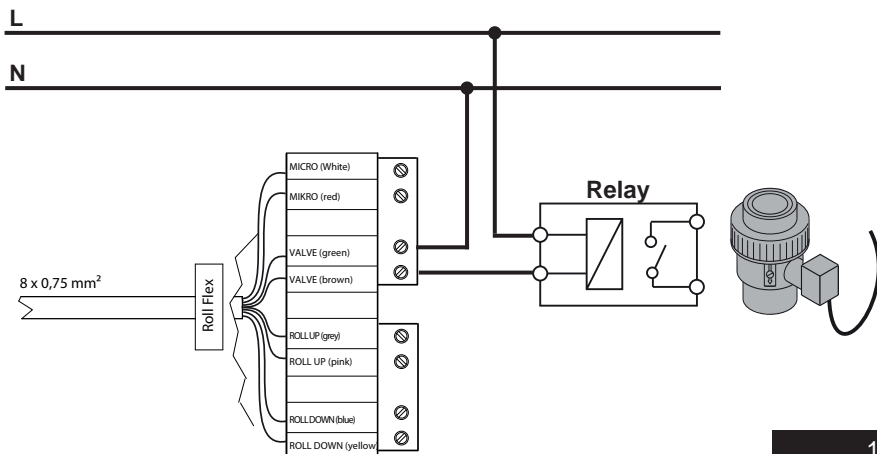
The MICRO contact has the function of turning on/off the suction device of the system.



2B

VALVE = normally open contact (max1A) for connecting the activation signal of a sleeve valve with electrical control.

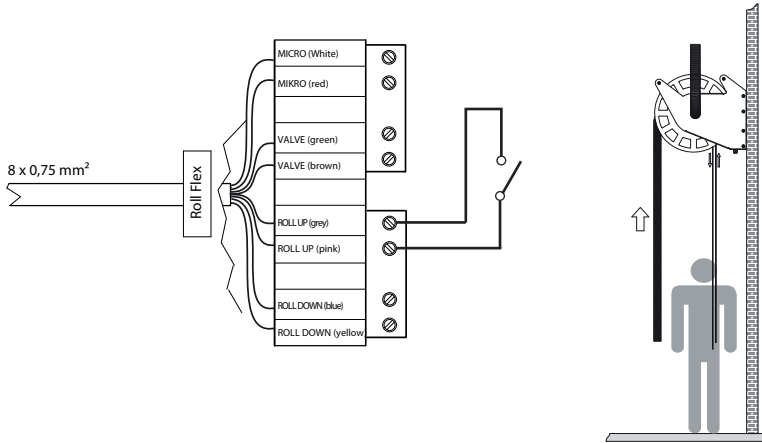
The VALVE contact has the function of opening automatically the installation section to which the Roll Flex device has been connected to, when the vacuum is on, and closing it automatically when the hose has been rewound and the vacuum has been turned off.



2C

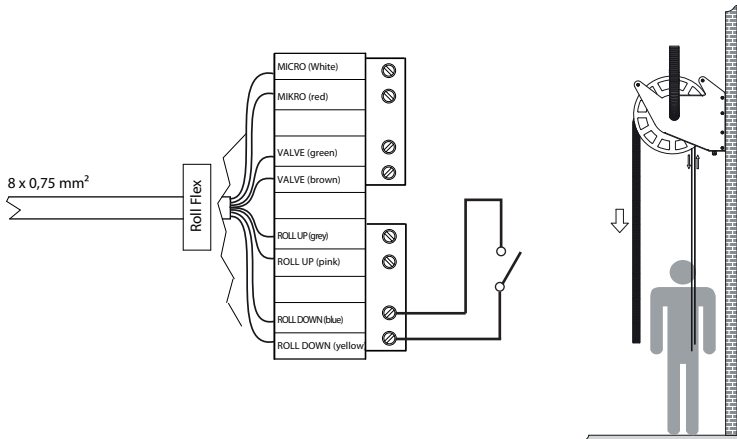
ROLL UP = connection for an external normally open contact, useful to pick the vacuum hose of the Roll Flex system up.

When the external control is on, Roll Flex system rewind the hose, completely if the contact stays closed for 0,5 seconds, partially if the contact stay provisionally closed longer than 0,5 seconds.


2D

ROLL DOWN = connection for an external normally open contact, useful to make the vacuum hose of the Roll Flex system descend.

When the external control is on, Roll Flex system rewind the hose, completely if the contact stays closed for 0,5 seconds, partially if the contact stay provisionally closed longer than 0,5 seconds.



8 USE

**WARNING:**

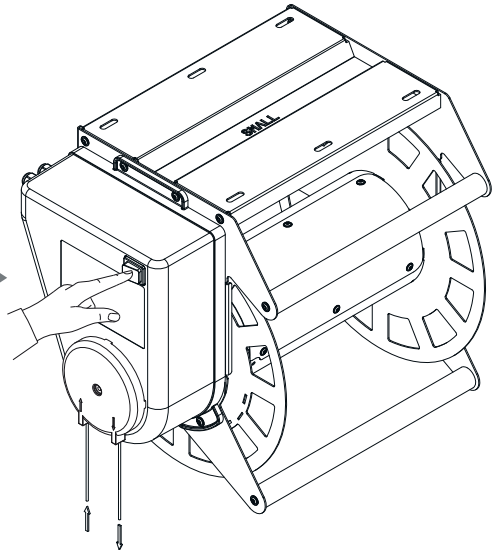
Do not leave the hose when you rewind it, but follow it through while it rewinds on the wheel during the closing.

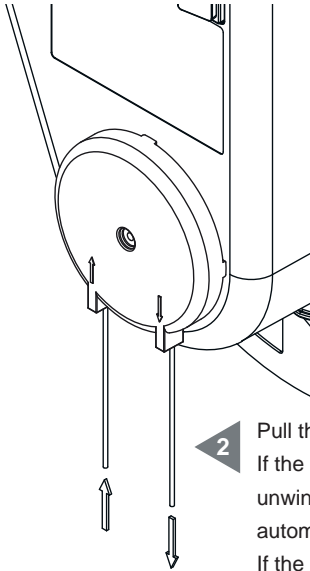
Do not pull the hose down hard, neither when it winds up nor when it unwinds.

It is not recommended to unwind the hose near the hose reel. The same recommendation shall be considered when you rewind it.

Press the general switch and
check that it is lighted up

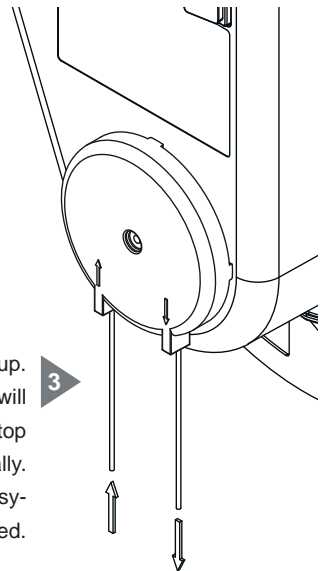
1





2

Pull the right rope to unwind the Roll Flex device hose
 If the hose is pulled not longer than 0,5 seconds, the hose will unwind completely and, once reached the endstop, will stop automatically.
 If the rope is pulled longer than 0,5 seconds, the Roll Flex system will stop as soon as the rope is released.

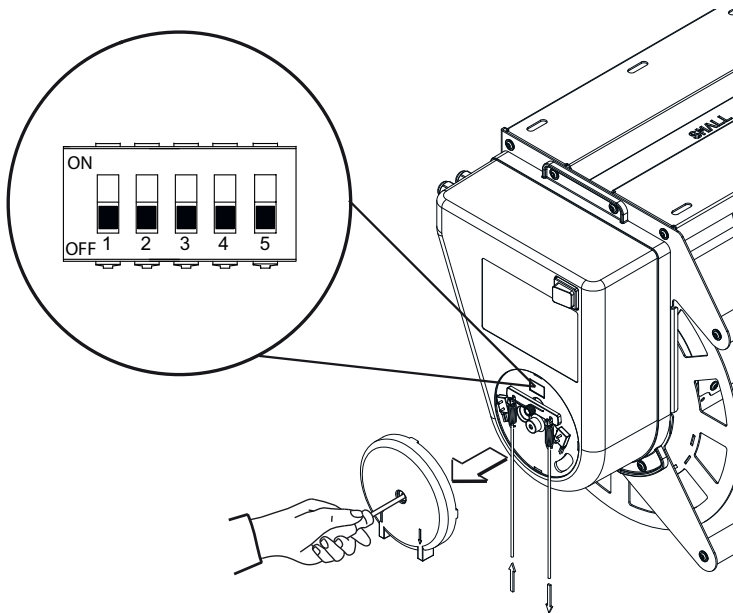


3

Pull the left rope to wind the Roll Flex device hose up.
 If the hose is pulled not longer than 0,5 seconds, the hose will wind up completely and, once reached the endstop, will stop automatically.
 If the rope is pulled longer than 0,5 seconds, the Roll Flex system will stop as soon as the rope is released.

9 MODIFICATION TO THE WINDING HOSE ENDSTOP

In case it is necessary to modify the endstop of the winding hose on the Roll Flex system, modify the number of windings by pressing the switches placed under the closing crankcase and according to the following chart at pag.16.



SWITCHES SET-UP
NUMBER OF WINDINGS FOR WINDING THE HOSE UP

SW1	1	2	3	4	5
0,75	ON	ON	ON	OFF	OFF
1,5	ON	ON	OFF	ON	ON
2,25	ON	ON	OFF	ON	OFF
3	ON	ON	OFF	OFF	ON
3,75	ON	ON	OFF	OFF	OFF
4,5	ON	OFF	ON	ON	ON
5,25	OFF	ON	ON	OFF	ON
6	ON	OFF	ON	OFF	OFF
6,75	ON	OFF	OFF	ON	ON
7,5	ON	OFF	OFF	ON	OFF
8,25	ON	OFF	OFF	OFF	ON
9	ON	OFF	OFF	OFF	OFF
9,75	OFF	ON	ON	ON	ON
10,5	OFF	ON	ON	ON	OFF
11,25	OFF	ON	ON	OFF	ON
12	OFF	ON	ON	OFF	OFF
12,75	OFF	ON	OFF	ON	ON
13,5	OFF	ON	OFF	ON	OFF
14,25	OFF	ON	OFF	OFF	ON
15*	OFF	ON	OFF	OFF	OFF
15,75	OFF	OFF	ON	ON	ON
16,5	OFF	OFF	ON	ON	OFF
17,25**	OFF	OFF	ON	OFF	ON
18	OFF	OFF	ON	OFF	OFF
18,75	OFF	OFF	OFF	ON	ON
19,5	OFF	OFF	OFF	ON	OFF
20,25	OFF	OFF	OFF	OFF	ON
21	OFF	OFF	OFF	OFF	OFF

* Basic setting Roll Flex Ø 32mm

** Basic setting Roll Flex Ø 40mm

10 - PROGRAMMED ROUTINE MAINTENANCE



BEFORE CARRYING OUT ANY MAINTENANCE INTERVENTION, IT IS MANDATORY TO TURN VACUUM UNIT OFF AND WEAR PROTECTION GLOVES.

According to the total time of utilization of the product, it is required to carry out programmed routine maintenance interventions to check the correct functioning of the moving parts, in order to keep the hose reel functioning always efficient and avoid serious mechanical damages.

11 - REPAIRS

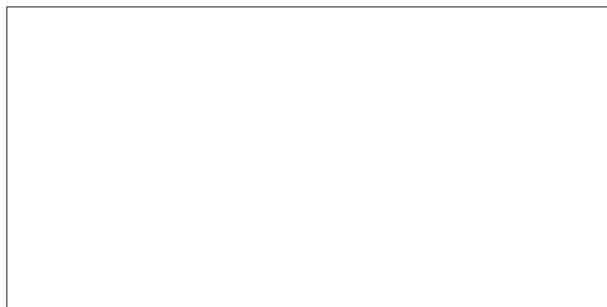
Any intervention on the vacuum cleaner for repairs and/or maintenance which are not expressly authorized in this manual is absolutely forbidden. Any repair for breakage or malfunctioning must be carried out by qualified Technical Assistance personnel. Any intervention of non-authorized personnel will result in the invalidation of any guarantee of the product and the manufacturer will not be held responsible for any eventual damage to persons and/or objects due to such interventions.

12 DISPOSAL

If you decide to put the hose reel out of service, it is necessary to do it with respect for our health and for the environment where we live. The disposal and/or recycling of any part of the product must be carried out in compliance with the laws in force.

13- TROUBLESHOOTING

PROBLEM	CAUSE	SOLUTION
The air suction is low	Use of more than one vacuum points simultaneously	Close the other vacuum points until you have the vacuum power required
	Flexible hose or cleaning accessories broken	Check if the flexible hose and the accessories are intact (if necessary, replace them)
	Flexible hose wind up incorrectly	Unwind the hose and rewind it completely following it through manually
	Clogging of the vacuum hoses of the pipe network	Call the Technical Service
	Flexible hose clogged	Eliminare il corpo estraneo dal tubo flessibile
	Malfunctioning vacuum unit	See instruction manual of the vacuum unit
The hose reel doesn't spin	Hose reel wheel blocked	Call the Technical Service
	Defective electronic board	Call the Technical Service
	Defective winds counter	Call the Technical Service
The hose reel doesn't block	Defective electronic board	Call the Technical Service
	Defective winds counter	Call the Technical Service



F0920289